

LOCUS MAP
NOT TO SCALE

COMMONWEALTH ENGINEERING INC.
CIVIL ENGINEERS & LAND SURVEYORS
27 CAMBRIDGE STREET
SUITE 106
BURLINGTON, MA 01803
TEL (781) 229-0411
FAX (781) 229-0520
WWW.COMMONENG.COM

4 & 5 REDMOND STREET
BURLINGTON
MASSACHUSETTS

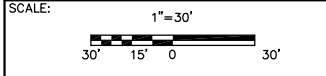
SEPTEMBER 7, 2021

DETAILS

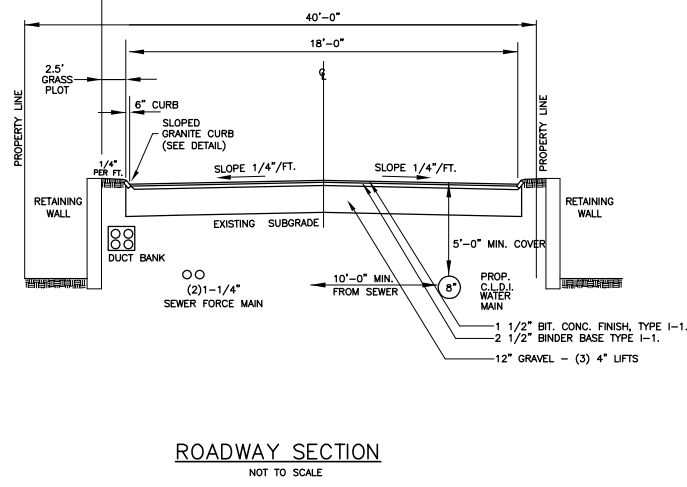
APPLICANT:
SOMERSET REALTY TRUST
ROBERT W. MURRAY, TRUSTEE
27 CAMBRIDGE STREET
BURLINGTON, MASSACHUSETTS

REVISIONS:

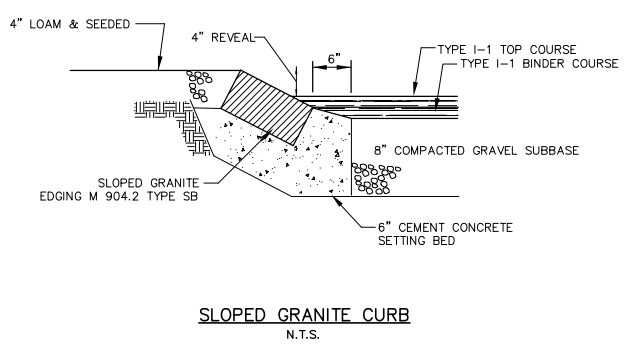
NO.	DATE	DESCRIPTION



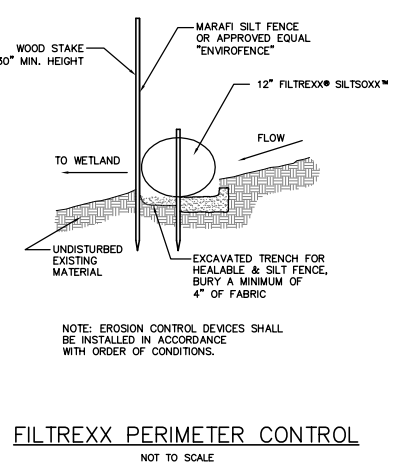
FIELD: DDO/JPH/ERN	CALCULATED: DDO
DRAWN: ERN/DNR	CHECKED: DNR
FILE PATH (H:/PROJ): ... \212033.00\DWG\ ... \REDMOND_STREET\CEI-DEFIN.DWG	
TAB: DETAILS	SHEET: D1
JOB NO.: 218001.00	



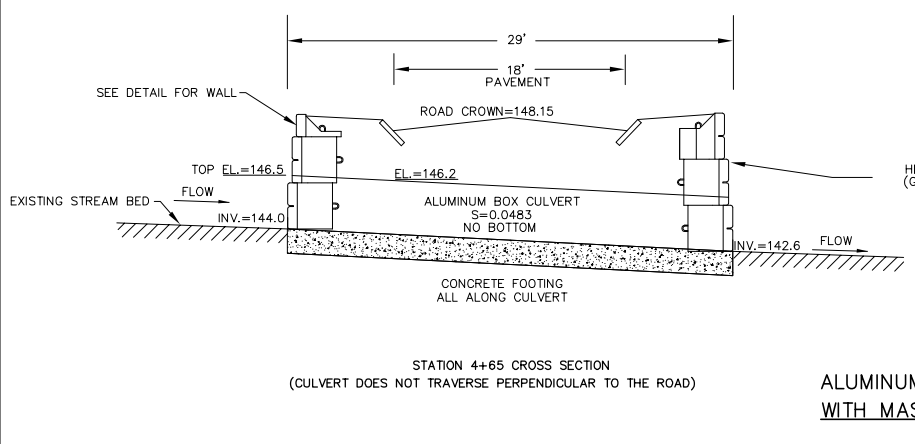
ROADWAY SECTION
NOT TO SCALE



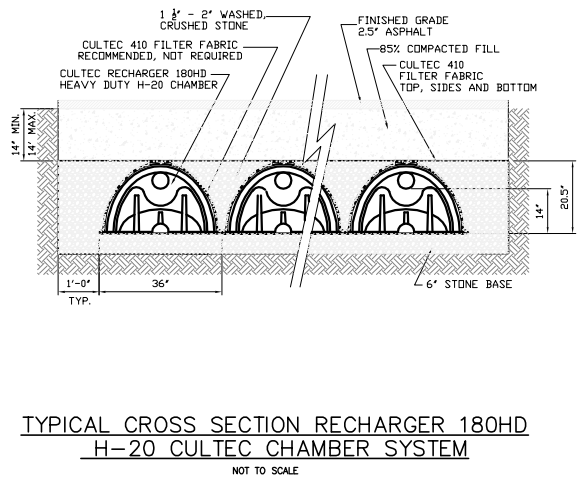
SLOPED GRANITE CURB
N.T.S.



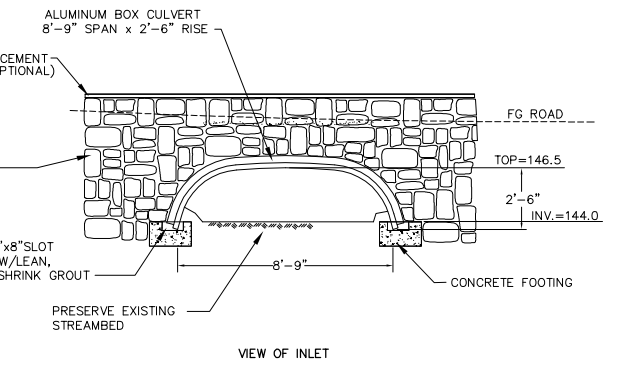
FILTREXX PERIMETER CONTROL
NOT TO SCALE



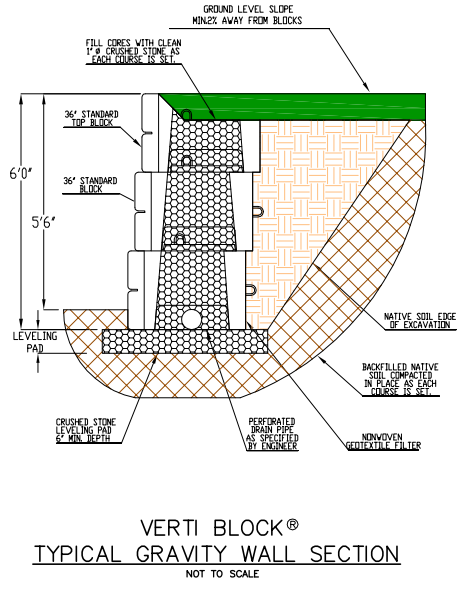
ALUMINUM BOX CULVERT
WITH MASONRY HEADWALL
N.T.S.



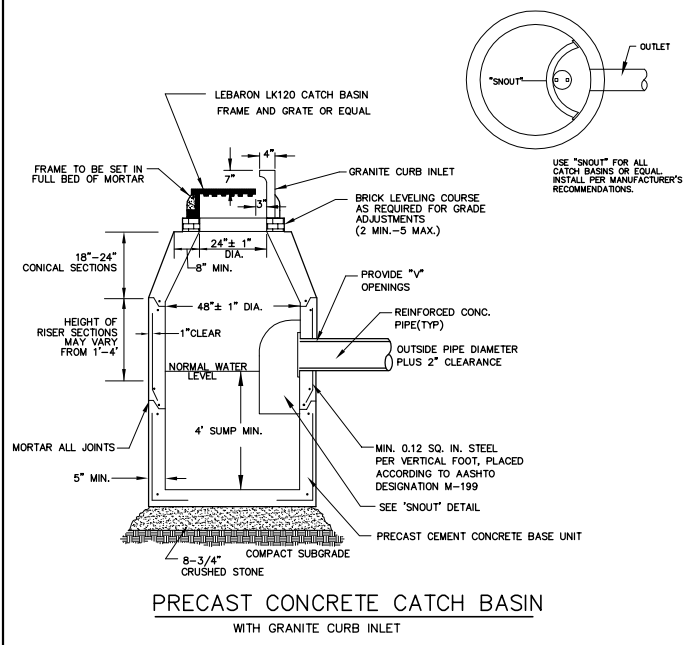
TYPICAL CROSS SECTION RECHARGER 180HD
H-20 CULTEC CHAMBER SYSTEM
NOT TO SCALE



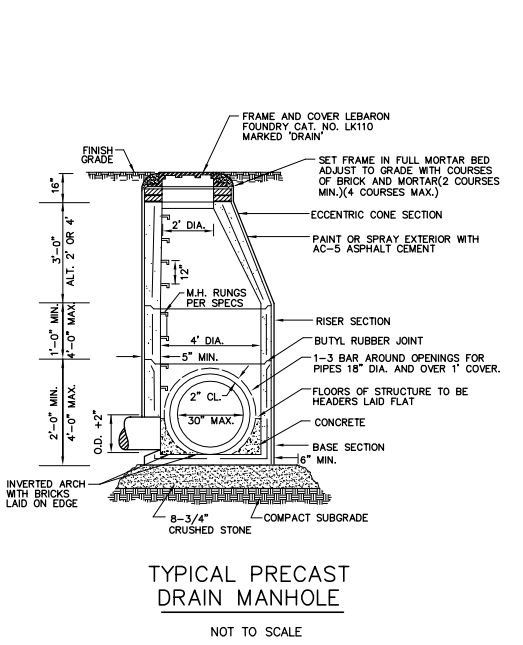
VIEW OF INLET



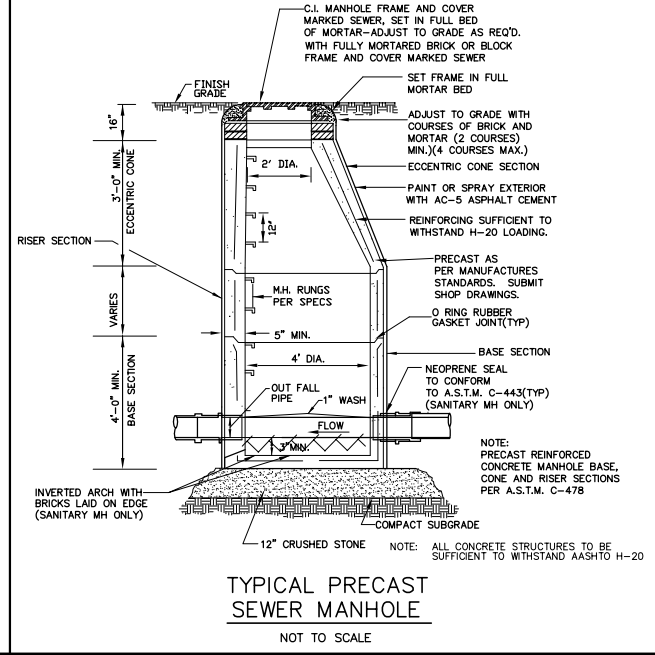
VERTI BLOCK®
TYPICAL GRAVITY WALL SECTION
NOT TO SCALE



PRECAST CONCRETE CATCH BASIN
WITH GRANITE CURB INLET



TYPICAL PRECAST
DRAIN MANHOLE
NOT TO SCALE



TYPICAL PRECAST
SEWER MANHOLE
NOT TO SCALE

REGISTRY USE ONLY

APPROVED BY THE
BURLINGTON PLANNING BOARD

DATE: _____