

SOIL EVALUATION:

APRIL 22, 2015
 PERFORMED BY: ERICH NITZSCHE, PE, SOIL EVALUATOR
 WITNESSED BY: SUSAN LUMENELLO, BOH

TEST PIT #1, GND = 111.0±

0-3"	A	10YR2/2	SL	TOP SOIL (LOAM)
3-27"	Bw	10YR3/4	SL	2-4" STONES
27-76"	C	10YR3/4	S	MEDIUM SAND

NO LEDGE
 STANDING WATER AT 44", ELEV=±107
 NO MOTTLES

SOIL EVALUATION:

APRIL 22, 2015
 PERFORMED BY: ERICH NITZSCHE, PE, SOIL EVALUATOR
 WITNESSED BY: SUSAN LUMENELLO, BOH

TEST PIT #2, GND = 111.9±

0-5"	A	10YR2/2	SL	TOP SOIL (LOAM)
5-23"	Bw	10YR4/4	SL	2-4" STONES
23-40"	C1	10YR3/6	S	COARSE SAND, 1-3" STONES
40-55"	C2	10YR5/4	S	MEDIUM SAND, 1" STONES
55-90"	C3	10YR3/2	S	MEDIUM SAND, 6-8" STONES

NO LEDGE
 WEEPING WATER AT 68", STANDING WATER AT 77"
 MOTTLES-7.5YR3/4 AT 60", ELEV.=±107

SOIL EVALUATION:

APRIL 22, 2015
 PERFORMED BY: ERICH NITZSCHE, PE, SOIL EVALUATOR
 WITNESSED BY: SUSAN LUMENELLO, BOH

TEST PIT #3, GND = 112.2±

0-28"	A	10YR3/2	SL	TOP SOIL (LOAM)
28-34"	Bw	10YR4/3	SL	
34-44"	C1	10YR3/3	SL	LARGE BOULDER
44-70"	C2	10YR3/4	S	MEDIUM SAND
70-102"	C3	10YR3/2	S	MEDIUM SAND, 2-4" STONES

NO LEDGE
 WEEPING WATER AT 68", STANDING WATER AT 78"
 MOTTLES-7.5YR3/4 AT 68", ELEV.=±106.5

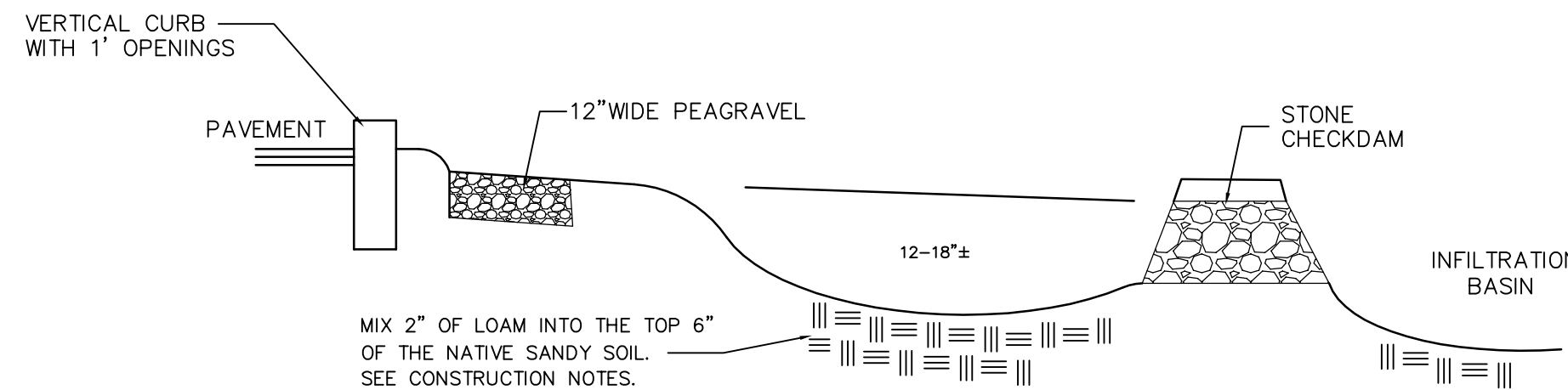
INFILTRATION BASINS AND SEDIMENT FOREBAYS

INFILTRATION BASIN CONSTRUCTION NOTES

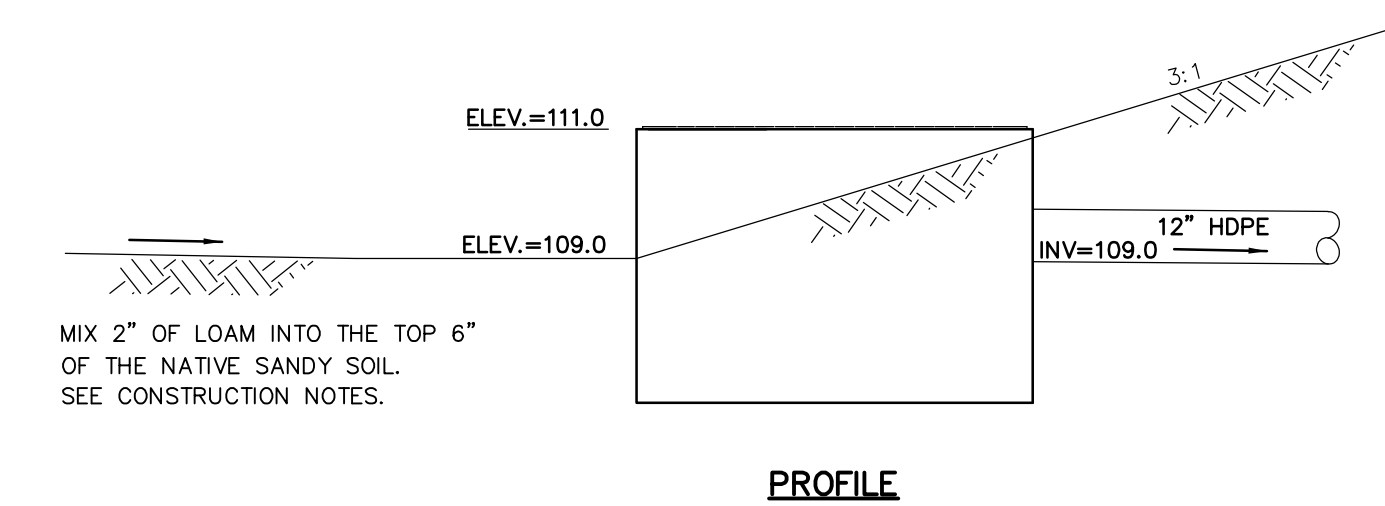
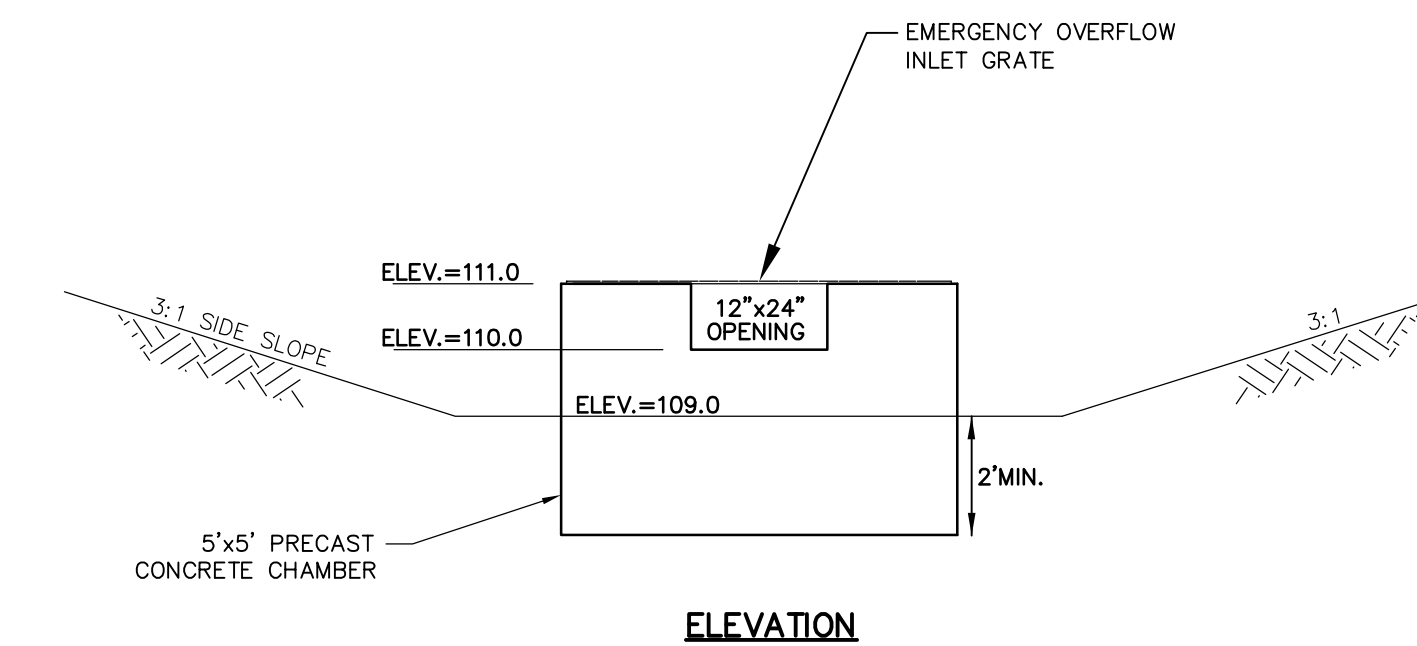
1. REMOVE ALL TOPSOIL AND ORGANIC MATERIAL FROM BOTTOM AREA.
2. USE NATIVE SAND FROM ONSITE TO ACHIEVE FINAL BOTTOM GRADE. REUSE NATIVE TOPSOIL FOR FINAL LOAM AREAS.
3. BOTTOM OF INFILTRATION BASINS TO BE CONSTRUCTED BY MIXING A 2" LAYER OF LOAM INTO THE TOP 6" OF THE NATIVE SANDY SOIL. DO NOT COMPACT.
4. SIDE SLOPES AND BERMS ARE TO BE CONSTRUCTED WITH NATIVE SOIL WITH NO STONES LARGER THAN 6". FILL IS TO BE COMPACTED IN 6" LIFTS.

SIDE SLOPE SEED MIX

SEED	POUNDS PER 1,000 S.F.
CREeping BENT GRASS	0.10
BLUEJOINT REED GRASS	0.10
VIRGINIA WILD RYE	0.10
FOWL MEADOWGRASS	0.25
SHOWY TICK TREFOLI	0.10
RED TOP	0.10

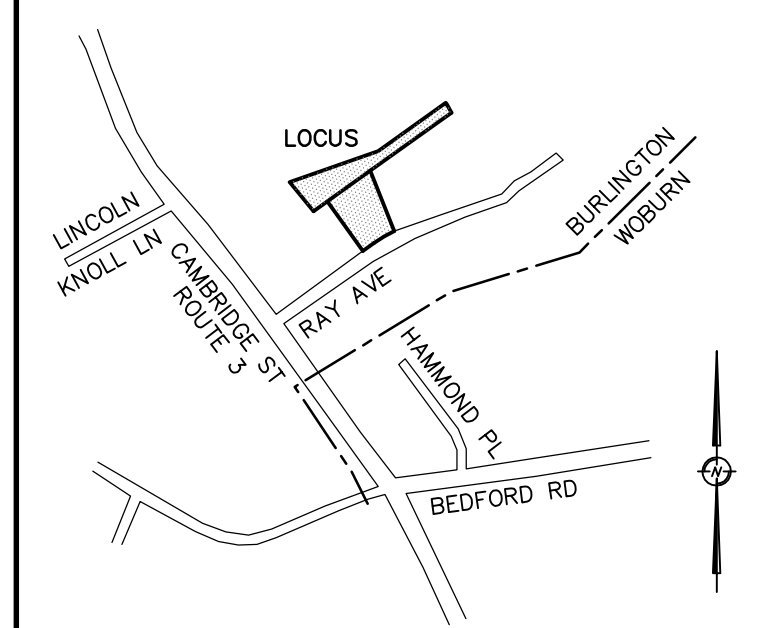


SEDIMENT FOREBAY
 NOT TO SCALE



OUTLET CONTROL STRUCTURE
INFILTRATION BASIN #1
 NOT TO SCALE

LOCUS MAP
 NOT TO SCALE



COMMONWEALTH ENGINEERING INC.
 CIVIL ENGINEERS & LAND SURVEYORS
 27 CAMBRIDGE STREET
 SUITE 106
 BURLINGTON, MA 01803
 TEL (781) 229-0411
 FAX (781) 229-0520
 WWW.COMMONENG.COM

9-11 RAY AVENUE
 & LOT B5/B6

BURLINGTON
 MIDDLESEX COUNTY
 MASSACHUSETTS

APRIL 10, 2017

DETAIL SHEET

APPLICANT:
ROBERT W. MURRAY
 27 CAMBRIDGE STREET
 BURLINGTON, MASSACHUSETTS

REVISIONS:

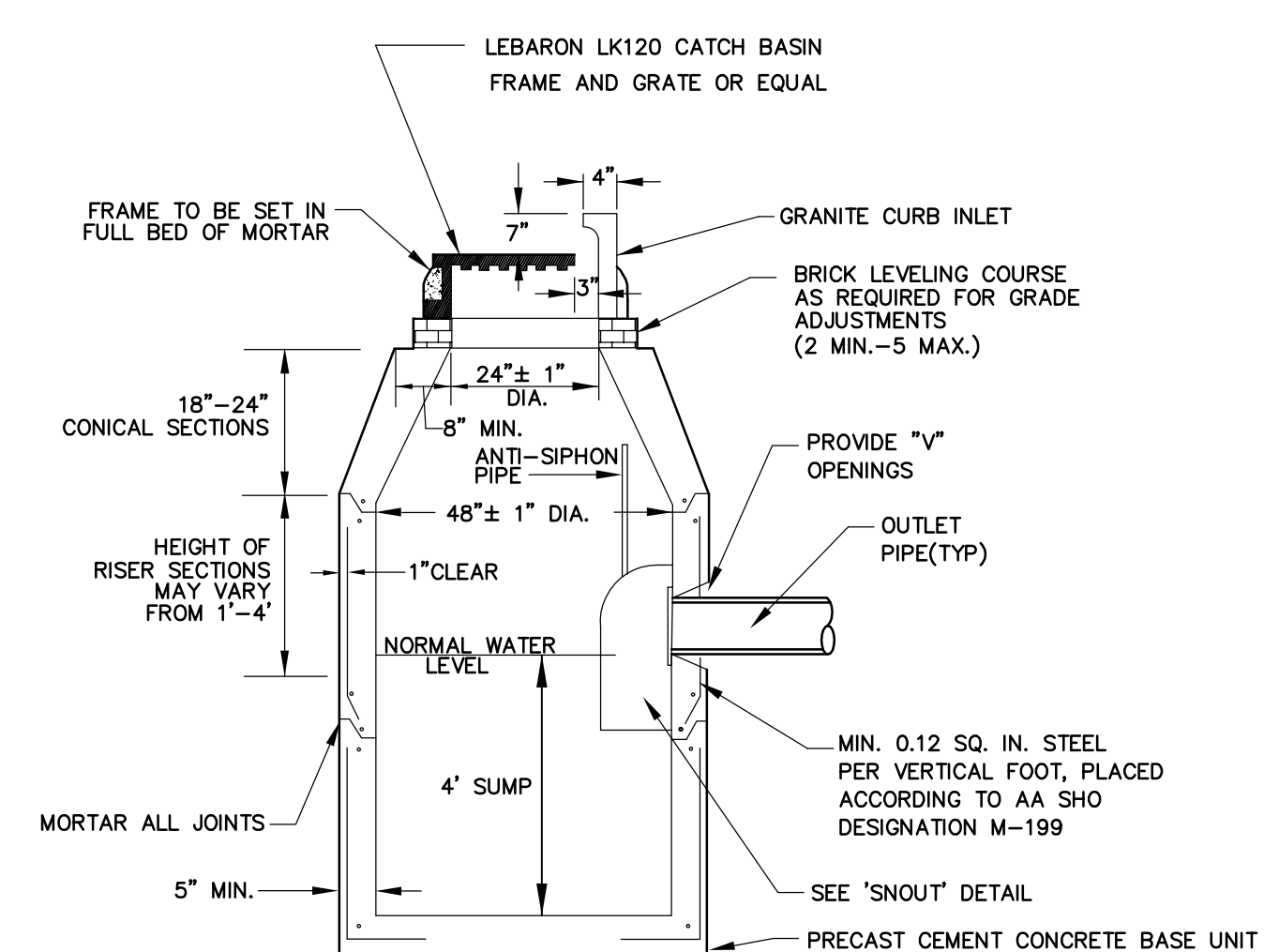
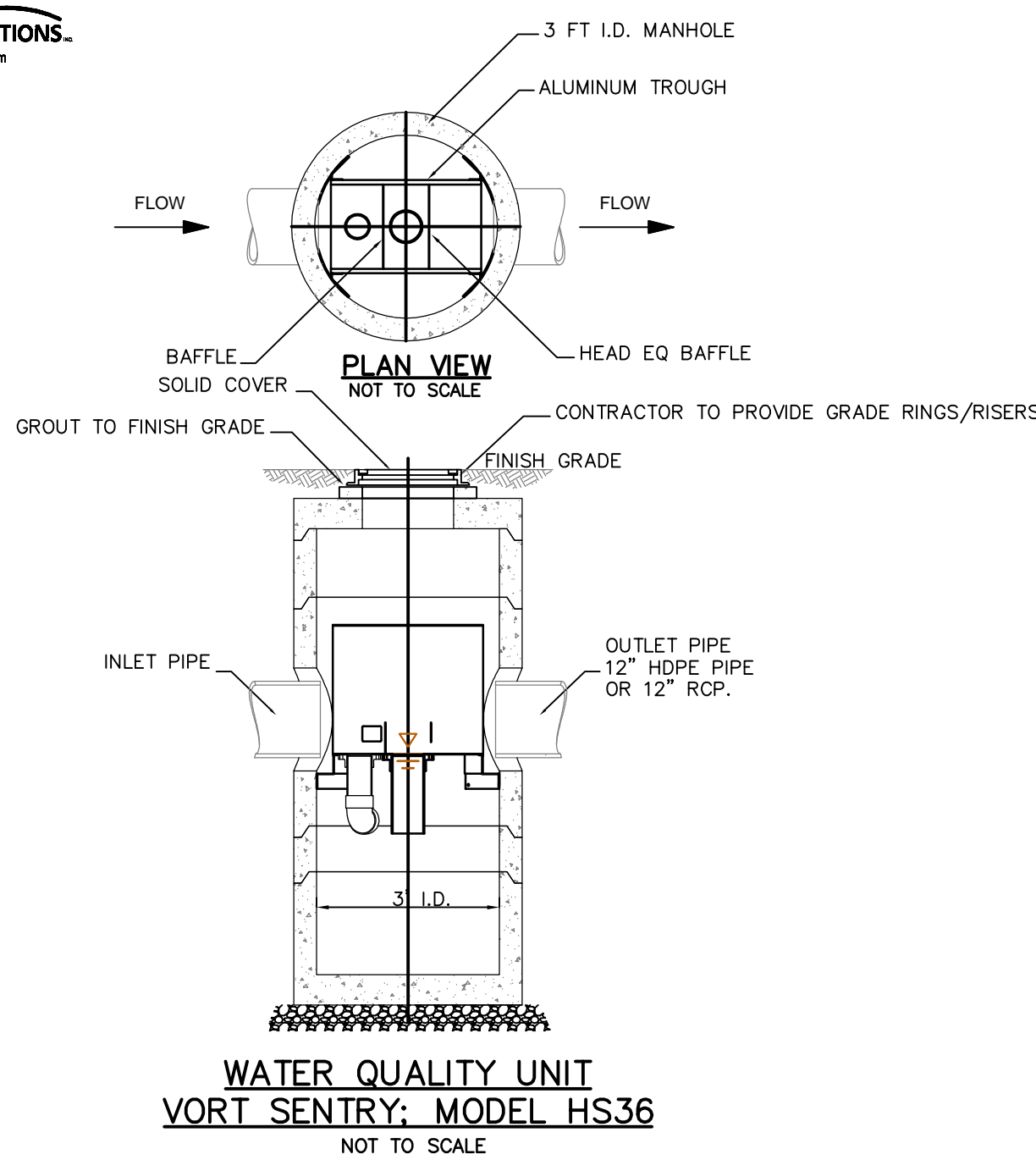
NO.	DATE	DESCRIPTION

DESIGN/DRAWN:
 DNR/ERN

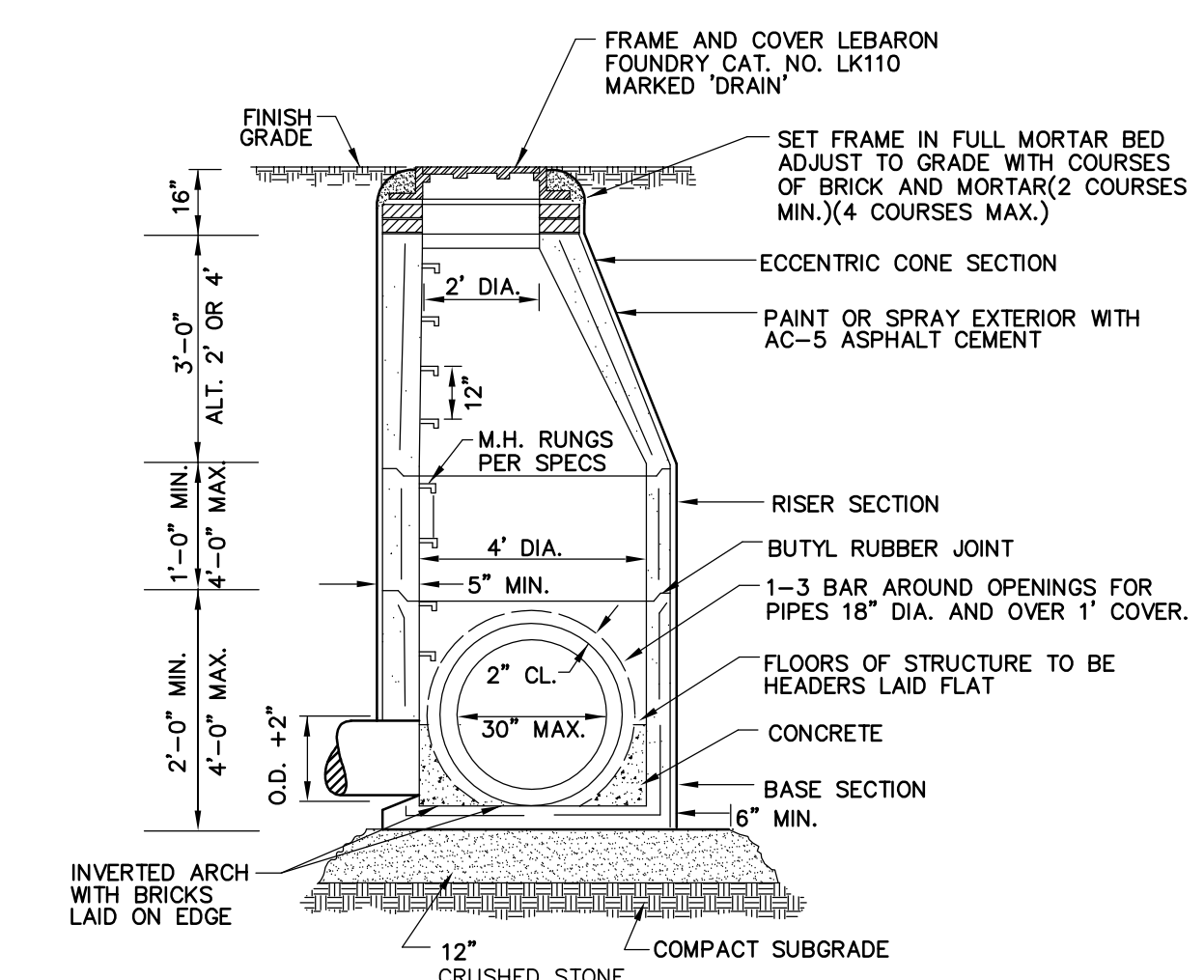
CHECKED:
 DNR

FILE PATH (H:/PROJ): \213004.00\DWG\CEL-SITE_PLAN.DWG

TAB: DETAILS SHEET:
 JOB NO.: 213004.00 D-1



PRECAST CONCRETE CATCH BASIN
 WITH GRANITE CURB INLET
 NOT TO SCALE



TYPICAL PRECAST DRAIN MANHOLE
 NOT TO SCALE