

Street

LaCascia Bakery
326 Cambridge St
Burlington, MA 01803



SPECIFICATIONS

33'-7 1/2" X 8'-8 1/2" X 8'-6"

INSTALLATION

- OUTDOOR
- BALLY TO FURNISH A MEMBRANE ROOF. SEE DURO-LAST INSTALLATION INSTRUCTIONS.
- AS AN ADDED PRECAUTION AGAINST WATER LEAKS, BALLY RECOMMENDS THAT ALL EXTERIOR PANEL JOINTS BE CAULKED AFTER ASSEMBLY.
- LOADING HEIGHT - AT LEAST 18" OF OPEN SPACE MUST BE MAINTAINED BETWEEN TOP OF PRODUCT AND CEILING PANEL.

INSULATION

- FOAMED IN-PLACE POURED URETHANE

EXTERIOR FINISH

- EMBOSSED GALVALUME

INTERIOR FINISH

- EMBOSSED GALVALUME

FLOOR FINISH

- (INTERIOR) 1/8" ALUMINUM DIAMOND TREAD
- (EXTERIOR) EMBOSSED GALVALUME

DOORS

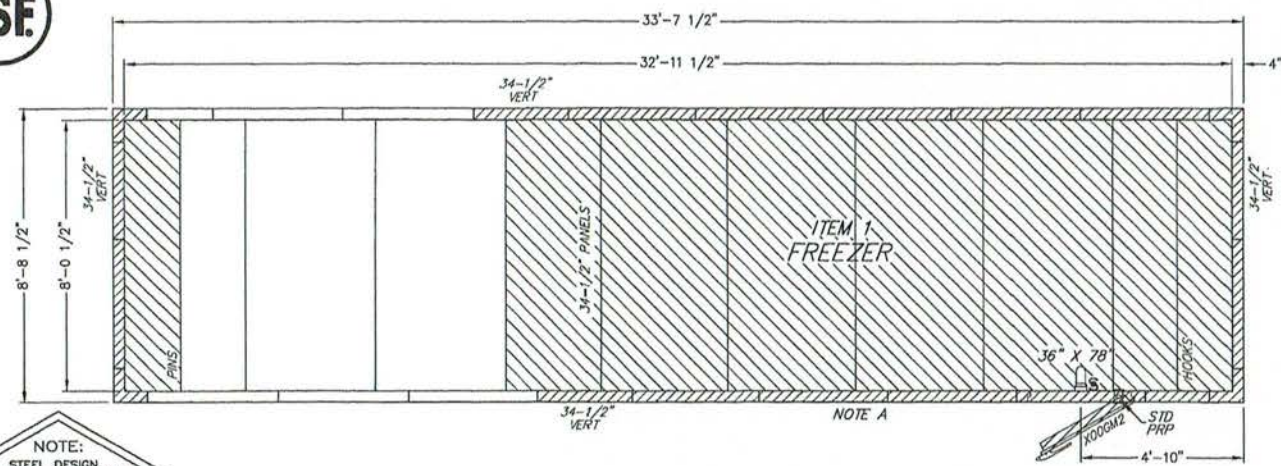
- (1) 36" X 78" RIGHT SWING HINGED WALK-IN DOOR
- EXISTING DOORS FROM ORDER #9806922

REFRIGERATION - BY OTHERS

- BLOWER COILS CANNOT BE SUSPENDED DIRECTLY FROM BALLY CEILING PANELS.

GENERAL NOTES

- NOTE A: MEMBRANE ROOF FLANGED UP ALONG THIS EDGE. FLASHING TO EXISTING BUILDING WALL BY OTHERS.



— PLAN VIEW A —

SCALE: 3/8" = 1' - 0"



EXISTING PANELS UNDER BALLY #9806922

NOTE:
STEEL DESIGN,
FABRICATION, ERECTION
BY OTHERS

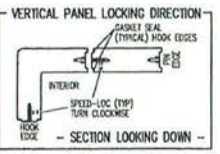
PANEL VERIFICATION

PANELS	QUANTITY	PACK LIST	CHECKER
VERTICALS	8		
CEILING	3		
FLOORS	3		
DOORS	-		
SCREEDS	-		

DESIGN LOADS

- LIVE LOAD = 24 PSF
- DEAD LOAD = 10 PSF
- WIND SPEED = 90 MPH
- CODE = NBC

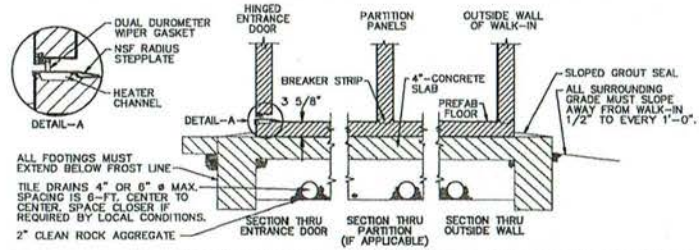
AIR GAP RECOMMENDATION
BALLY RECOMMENDS A 2" GAP BETWEEN WALK-IN VERTICAL PANELS AND EXISTING BUILDING WALLS FOR PROPER AIR CIRCULATION.



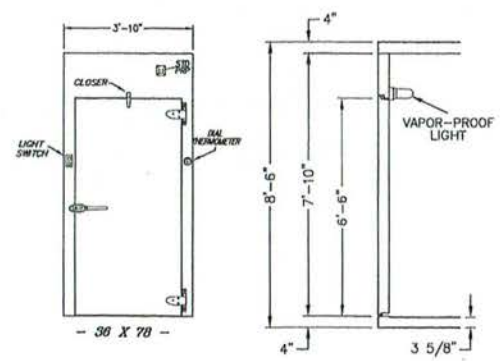
LEGEND
S - ELECTRICAL CONNECTION

BALLY FLOOR PANEL GUIDELINES
STATIONARY LOAD: LIMIT 600 LBS. SQ. FT. (UNIFORMLY DISTRIBUTED)
MOBILE EQUIPMENT (DOLLIES OR CARTS): BALLY FLOOR PANELS MUST BE REINFORCED WITH FOAMED PLYWOOD UNDER INTERIOR FLOOR SLAB. ALUMINUM DIAMOND TREAD OVERLAY IS ALSO AN OPTION.
FORK-LIFT USE: A MINIMUM OF 4" REINFORCED CONCRETE MUST BE POURED OVER BALLY FLOOR PANELS.

NOTE: THESE DRAWINGS ARE INTENDED TO SERVE AS GUIDE LINE DRAWINGS ONLY. THEY ARE NOT INTENDED TO BE CONSTRUCTION DRAWINGS AS CONDITIONS MAY VARY WIDELY. DIMENSIONAL AND MATERIAL DESIGN TO BE DETERMINED BY PROJECT/CONSTRUCTION ENGINEER.



- ALL FOOTINGS MUST EXTEND BELOW FROST LINE.
- TILE DRAINS 4" OR 6" @ MAX. SPACING IS 6'-FT. CENTER TO CENTER. SPACE CLOSER IF REQUIRED BY LOCAL CONDITIONS.
- 2" CLEAN ROCK AGGREGATE.
- NOTE: BALLY TO FURNISH THE PREFAB. SECTIONAL WALK-IN COOLER OR FREEZER ONLY (UNLESS OTHERWISE SPECIFIED) THIS INCLUDES FLOORS, WALLS AND CEILING PANELS.
- NOTE: BEARING SURFACE UNDER FLOOR PANELS MUST BE LEVEL AND DRY. BOTTOM OF PANELS MUST HAVE AT LEAST ROUGH CONTACT WITH FLOOR.
- NOTE: IF MOISTURE IS PRESENT UNDER BUILDING FLOOR, A VAPOR BARRIER MUST BE APPLIED BETWEEN BUILDING FLOOR AND PREFAB PANELS.
- NOTE: DRAIN AND VENT TILES ARE RECOMMENDED FOR USE:
 - (A) WHEN COOLERS OR FREEZERS ARE LOCATED IN HIGH WATER TABLE AREAS AS THEY PROVIDE DRAINAGE OF EXCESS WATER AND SERVE AS AIR VENTS TO KEEP AREA UNDER THE SLAB DRY.
 - (B) DRAIN AND VENT TILES ARE RECOMMENDED FOR USE GENERALLY WHEN FREEZERS, OR COOLER/FREEZER COMBINATIONS ARE OVER 225 SQUARE FEET IN FLOOR AREA. THESE DRAIN AND VENT PIPES PROVIDE WARM AIR PASSAGE THROUGH THE FLOOR WHEN THE AMBIENT TEMPERATURE IS ABOVE THE GROUND TEMPERATURE. THIS STORES THE HEAT IN THE GROUND TO PREVENT ICE BUILD-UP THAT COULD EVEN CAUSE UPLIFTS OF THE FLOOR.



— SECTION VIEW —
THRU ENTRANCE DOOR

SCALE: 3/8" = 1' - 0" SHEET 1 OF 1

RESTRICTED, CONFIDENTIAL DOCUMENT.
THIS DRAWING AND ALL INFORMATION SHOWN HEREON ARE THE EXCLUSIVE PROPERTY OF BALLY REFRIGERATED BOXES INC. ARE SUBMITTED ONLY ON A CONFIDENTIAL BASIS. THE RECIPIENT AGREES NOT TO REPRODUCE THE DRAWING, TO RETURN IT UPON REQUEST, AND THAT NO DISCLOSURE OF THE DRAWING OR THE INFORMATION SHOWN HEREON WILL BE MADE TO A THIRD PARTY WITHOUT PRIOR WRITTEN CONSENT FROM BALLY REFRIGERATED BOXES INC.

SIGNED APPROVAL
SIGNED _____
DATE _____
PLEASE READ
THIS DRAWING HAS BEEN CAREFULLY CHECKED BY OUR DRAFTING DEPARTMENT. HOWEVER, ERRORS OR MISINTERPRETATION CAN OCCUR. THEREFORE, PLEASE ALWAYS CAREFULLY CHECK ALL DIMENSIONS AND APPROVALS. BE SURE THAT YOU CHECK THEM CAREFULLY.
NOTE - THIS ORDER WILL NOT BE SCHEDULED FOR PRODUCTION UNTIL RECEIPT OF APPROVED DRAWINGS BY BALLY.

IMPORTANT - PLEASE READ
THESE DRAWINGS ARE NOT TO BE CONSIDERED AS APPROVED BY LOCAL OR STATE BUILDING AUTHORITIES. THEY HAVE BEEN PREPARED SOLELY FOR THE GUIDANCE OF REGISTERED ARCHITECTS AND ENGINEERS AND FOR THE ASSISTANCE OF LOCAL AGENCIES. IT IS THE RESPONSIBILITY OF THE PROJECT ARCHITECT OR ENGINEER TO ASSURE THE BUILDING DESIGN MEETS LOCAL CODE REQUIREMENTS. THIS INCLUDES STRUCTURAL DESIGN AS WELL AS ANY NECESSARY PERMITS FOR THE GENERAL CONTRACTOR FOR THE SUCCESSFUL COMPLETION OF USE OF THE STRUCTURE DESCRIBED.
THE DRAWINGS AND SPECIFICATIONS DESCRIBE A BUILDING ASSEMBLY FROM BALLY PANELS INSULATED WITH URETHANE FOAMING-IN-PLACE. THE R-10 AND SH-10 IS THAT WHICH MUST BE CLEARLY MARKED ON ORDERS SUBMITTED BY THE USER.
BALLY REFRIGERATED BOXES INC. PROVIDES PANELS FREQUENTLY SPECIFIED BY OTHERS AND IS NOT RESPONSIBLE FOR THE SELECTION OR RECOMMENDATIONS BY OTHERS OF THE PANEL TYPE FOR ANY BUILDING OR WALK-IN APPLICATION.

REV	DESCRIPTION	BY	DATE

Bally REFRIGERATED BOXES INC.
120 LITTLE ROCK DRIVE, WOODBRIDGE, NJ 07095
TEL: 201-341-0000 FAX: 201-341-0001
1224 CLOSING ROAD, WOODBRIDGE, NJ 07095
TEL: 201-341-0004 FAX: 201-341-0001

FOR **TRUMAN RFG**

DRAWING NUMBER	1609525AC	DATE	11/25
DRAWN BY	JAS	DATE	11/29/16
SCALE	1/8" = 1'-0"	DATE	11/29/16
BY	JAS	DATE	11/29/16